

CULINARY STEAM FILTER ISC20I

DESCRIPTION

The ISC20I high efficiency filters are used to remove contaminated particles from gases such as steam and compressed air.

The optimized construction of these units offers low differential pressure at high flow rates.

All sizes are built in two halves and a bottom cover with drain connection, joined by a sanitary clamp ferrule according to DIN 32676 Series A.

The filter elements (replaceable) are made of sintered austenitic stainless steel.

MAIN FEATURES

Several retention rates available.

Good durability against aggressive gases.

Porosity level is more than 50% ensuring high particle and dirt load capacity as well as good flow rate at a low differential pressure.

Regeneration by ultrasonic bath.

STANDARD SURFACE FINISH

Internal parts: ≤ 0,8 microns Ra.

External : Satin bead blast finish – 1,6 microns Ra.

Mechanical polished as option.

OPTIONS: Different kind of connections and dimensions.

USE: Steam, compressed air and other gases (Group 2).

AVAILABLE MODELS: ISC20I – 1.4404 (AISI 316L).

RETENTION RATES: 1, 5 and 25 micron.

SIZES: DN1/4" to DN2" threaded.
DN10 to DN 80 flanged.

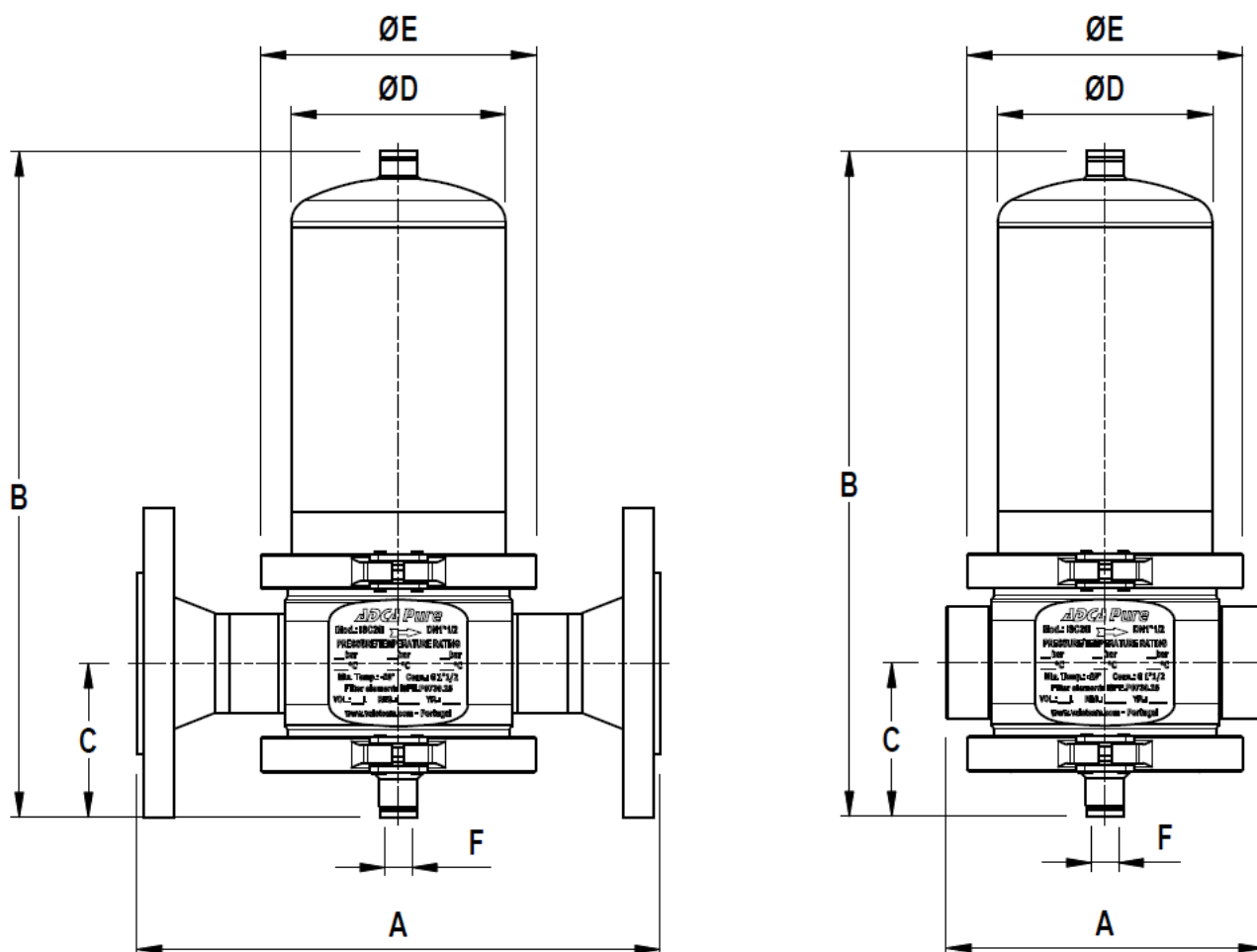
PIPE CONNECTIONS: Threaded BSP or NPT.
Flanged EN PN16 or ANSI class 150lbs.
Welded ends and other connections on request.

INSTALLATION: Horizontal installation always with the drain connection pointing downwards. See IMI, installation and maintenance instructions.



CE MARKING (PED - European Directive)		
Ps 16 bar	Ps 12 bar	Category
DN10 to DN40 ; DN1/4" to DN 11/2"	/	SEP
DN50L to DN65 ; DN2"L to DN21/2"	/	1
/	DN80 ; DN 3"	2

CE Marking: This product has been designed for use on water, steam, air and other gases which are in Group 2 of the European PED-Pressure Equipment Directive in use and it complies with those requirements. The product carries the CE mark when falling in category 1 and above.



APPROXIMATE DIMENSIONS (mm)											
SIZE DN a)	A Screwed	A Tube weld	A Flanged PN16	A Flanged 150lbs	B	C	D	E	F	VOL. * dm3	WGT ** Kg
08 - 1/4"	99	99	/	/	181	56	70	104	1/4"	0,34	3,3
10 - 3/8"	101	101	180	/	214	59	70	104	1/4"	0,45	4,6
15 - 1/2"	107	107	180	203	219	61	70	104	1/4"	0,48	4,9
20 - 3/4"	130	130	202	230	249	64	70	118	1/4"	0,88	7,2
25 - 1"	136	136	212	247	259	69	85	118	1/4"	0,94	7,7
32 - 1 1/4"	142	142	220	254	329	71	85	118	1/4"	3,87	9,7
40 - 1 1/2"	154	154	254	294	323	75	104	133	1/4"	2,12	11,4
50L-2"L	163	163	260	297	410	81	104	133	1/4"	2,79	13,8
50H - 2"H	163	163	260	297	537	81	104	133	1/4"	3,81	14,6
65 - 2 1/2"	/	216	306	356	680	89	129	170	1/4"	8,11	22,5
80L - 3"L	/	240	340	380	965	99	154	198	1/4"	16,7	35,4
80H - 3"H	/	240	340	380	965	99	154	198	1/4"	16,7	35,4

a) Suffix L corresponds to low capacity design; suffix H corresponds to high capacity .

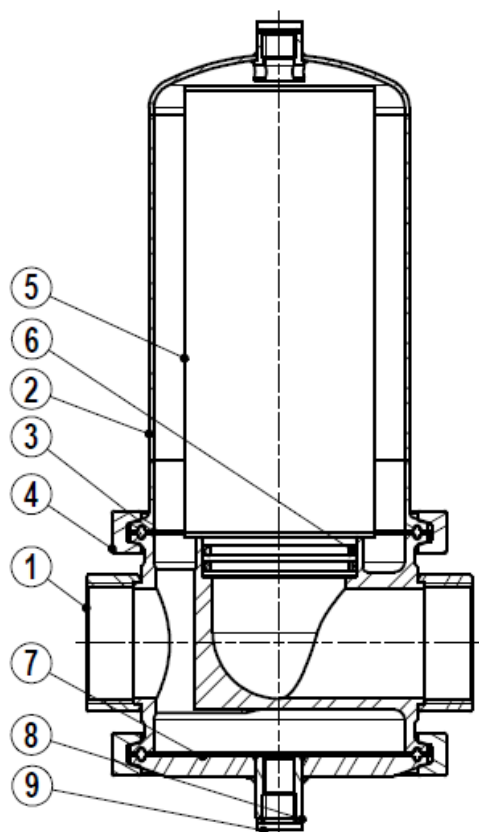
* Volume correspond to the class PN16 design.

** Weight correspond to the class PN16 design.

Consult factory for certified dimensions. Dimensions subject to change without notice.

STEAM FILTER DATA INQUIRY	
Steam flow rate	Kg/h
Saturated steam operating pressure	bar
Allow able pressure drop (0,07 bar max. recommended)	bar
Housing material	1.4301 or 1.4404
Size	DN
Pipe connections	BSP, Flanged PN16,...
Filter element retention rate	1, 5 or 25 micron

LIMITING CONDITIONS		
Maximum allow able pressure	DN10-65	16 bar
	DN80	12 bar
Maximum allow able temperature	200 °C	
Minimum allow able temperature	-20 °C	
Maximum operating pressure	EPM	8,5 bar @ 178 °C
	FLUORAZ	10 bar @ 200 °C
Minimum operating temperature	0 °C	
Maximum differential pressure	5 bar	
Max. cold hydraulic test pressure	DN10-65	20,8 bar
	DN80	15,6 bar



MATERIALS		
POS.	DESIGNATION	ISC20I
1	Filter housing	AISI 316L / 1.4404
2	Filter housing cover	AISI 316L / 1.4404
3	* Seal	PTFE/TFM® Envelope gasket
4	Closing ring	AISI 304 / 1.4301
5	* Filter element	Sintered AISI 316L
	Filter end caps	AISI 304 / 1.4301
6	* Filter seal o-rings (2)	EPDM, EPM, FLUORAZ
7	Bottom cover	AISI 316L / 1.4404
8	Plug	AISI 304 / 1.4301
9	Gasket	PTFE

* Available spare parts.

FDA/USP Class VI seals certificate on request.

All filters have a serial number. In case of non-standard filter this number must be supplied if spare parts are ordered.



ORDERING CODES ISC20I FILTER HOUSING							
Filter Model	ISC20I	.	T	A	.	08	
ISC20I Filter housing AISI 316L - 1.4404	ISC20I						
Housing seal material							
PTFE/TFM (Envelope gasket)			T				
Pipe connection							
Threaded BSP ISO 7/1 Rp				A			
Threaded NPT ANSI B1.20.1				C			
Tube weld				H			
Flanged EN1092-1 PN16				L			
Flanged ANSI B16.5 150#				U			
Size							
DN 08 or DN 1/4"						08	
DN 10 or DN 3/8"						10	
DN 15 or DN 1/2"						15	
....						...	
DN 50L or DN 2" L						50L	
DN 50H or DN 2" H						50H	
...						...	
Special / Extras a)							E

a) Full description or additional codes have to be added in case of non-standard combination.

ORDERING CODES - FILTER ELEMENT							
Filter Element Model	ISFE	.	P	0310	.	01	
ISFE Filter element AISI 316L - 1.4404	ISFE						
Filter to Housing Sealing O-rings							
Without sealing o-rings			(1)				
EPDM (up to 180 °C)			E				
EPM (up to 180 °C)			P				
FLUORAZ (up to 200 °C)			F				
Filter Size According to Housing DN Connection							
DN 08 - 1/4"				0310			
DN 10 - 3/8"				0410			
DN 15 - 1/2"				0420			
DN 20 - 3/4"				0520			
DN 25 - 1"				0525			
DN 32 - 1 1/4"				0725			
DN 40 - 1 1/2"				0730			
DN 50 L - 2" L				1030			
DN 50H - 2" H				1530			
DN 65 - 2 1/2"				2030			
DN80 L - 3" L				3030			
DN 80H - 3" H				3050			
Retention Rate							
1 micron						01	
5 micron						05	
25 micron						25	
Special / Extras b)							E

b) Full description or additional codes have to be added in case of non-standard combination.

(1) Omitted ; Order example:

1 Adcapture filter housing ISC20I PTFE/TFE seals DN 2" L threaded BSP DN 2"

Code: ISC20I.TA.50L

1 ISFE filter element with 5 micron retention rate for the above mention filter

Code: ISFE.P1030.05

Note: we recommend a second filter element as a spare part to ensure a minimum downtime when replacing the one in use after saturation.