

HUMIDITY SEPARATORS Clean Steam Centrifugal Separator S-10HV (Horizontal inlet – Vertical outlet)

DESCRIPTION

When wet steam is used in sterilization, moisture in suspension reduces the heat transfer efficiency and the validity of the sterilization process can be compromised.

S-10HV series centrifugal separators remove moisture from steam pipelines. Steam passing through the separator and as a result of centrifugal forces, impact and swirling effects, separate the particles with a heavier specific gravity, such as water droplets and moisture in suspension.

The condensate collected at the bottom of the separator, must be automatically drained by a suitable steam trap.

MAIN FEATURES

316L stainless steel construction
No moving parts.
Self draining design.

STANDARD SURFACE FINISH

Internal parts: ≤ 0,5 microns Ra
External : Satin bead blast finish – 1,6 microns Ra
Mechanical polished as option

OPTIONS: Different kind of connections and dimensions

USE: Steam, compressed air and other gases (Group 2).

AVAILABLE MODELS: S10HV

SIZES: DN1/2", 3/4", 1", 1 1/2" and 2"

PIPE CONNECTIONS: Clamped ends ASME BPE
Other sanitary clamp or tube weld connections available on request.

PACKAGING: Assembling and packaging in a clean room certified according to ISO 14644-1.
The product is end capped and vacuum sealed with recyclable plastic film to avoid contamination.

INSTALLATION: Always with the condensate discharge pointing downwards. See IMI, installation and maintenance instructions.

HOW TO SELECT: Generally, in an existing plant it is advisable to fit a separator with the same size of the pipe line. Pressure drop is normally negligible. For approximate pressure drop calculation please consult.



| LIMITING CONDITIONS | | |
|---------------------|------------|----------|
| Rating | Press. bar | Temp. °C |
| PN10 | 10 | 50 |
| | 8 * | 175 |
| | 7,4 | 200 |

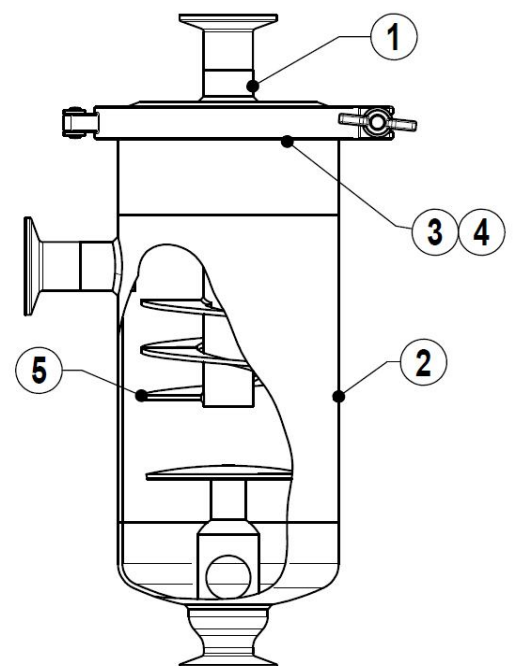
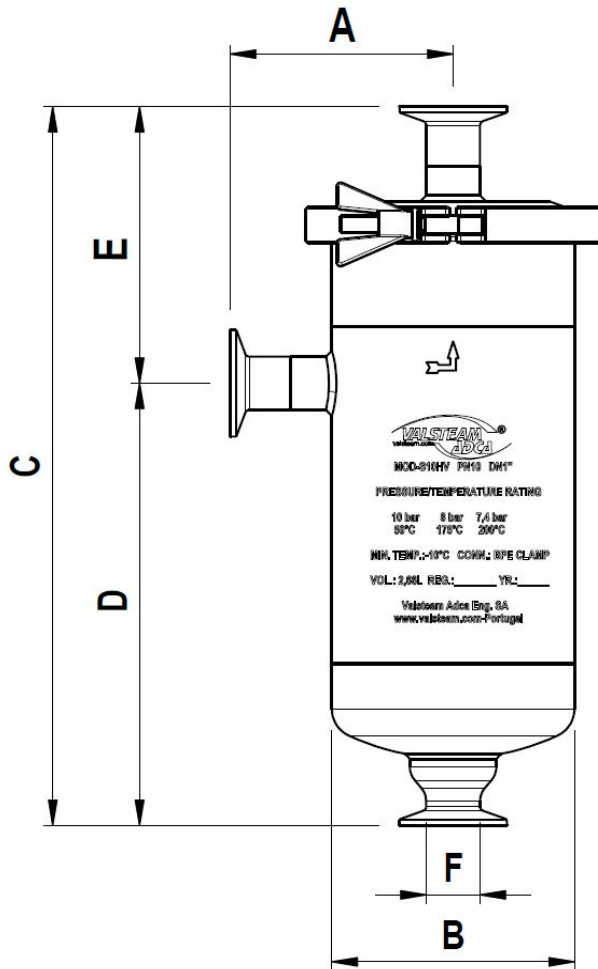
*PMO-Max.operating pressure for saturated steam.
Minimum operating temp.: -10°C.
Design code: AD-Merkblatt

| CE MARKING (PED - European Directive) | |
|---------------------------------------|----------|
| PN10 | Category |
| DN1/2" to DN2" | SEP |

CE Marking: This product has been designed for use on water, steam, air and other gases which are in Group 2 of the European PED-Pressure Equipment Directive in use and it complies with those requirements. The product carries the CE mark when falling in category 1 and above.

| APPROXIMATE DIMENSIONS (mm) | | | | | | | | |
|-----------------------------|-----|-----|-----|-----|-----|----|----------|--------|
| SIZE DN | A | B | C | D | E | F | VOL. dm3 | WGT Kg |
| 1/2" | 105 | 114 | 325 | 195 | 130 | 1" | 2,84 | 3,8 |
| 3/4" | 105 | 114 | 325 | 195 | 130 | 1" | 2,87 | 3,9 |
| 1" | 105 | 114 | 340 | 210 | 130 | 1" | 2,9 | 4,2 |
| 1 1/2" | 120 | 140 | 420 | 260 | 160 | 1" | 5,82 | 7,25 |
| 2" | 120 | 140 | 420 | 260 | 160 | 1" | 5,93 | 7,28 |

Consult factory for certified dimensions. Dimensions subject to change without notice.



| MATERIALS | | |
|-----------|-------------|--------------------|
| POS. | DESIGNATION | MATERIAL |
| 1 | Body | AISI 316L / 1.4404 |
| 2 | Cover | AISI 316L / 1.4404 |
| 3 | *Clamp | AISI 316L / 1.4404 |
| 4 | *Seal | VITON |
| 5 | Internals | AISI 316L / 1.4404 |

* Available spare parts.

EN10204 3.1 certificate available if requested along with the order.

Remarks: FDA/USP Class VI seals certificate on request.

All separators have a serial number. In case of non-standard separator this number must be supplied if spare parts are ordered.