

PNEUMATIC CONTROL VALVES PV926A

(V926A aseptic angle valve with linear actuator PA series)

DESCRIPTION

The PV926A aseptic control valves are single seated, two-way body constructed with angle connections. The PA pneumatic actuator is rubber diaphragm and multi-springs. Its action can be DA - direct action (air to close) or RA-reverse action (air to open). The PV926A valves have been designed to assure an accurate control in any process condition. The self draining design is ideally suited to applications in clean steam service.

MAIN FEATURES

Completely made from solid bar stock material
Single seated, two way, direct or reverse action valve.
Valve top flange permanently attached to the body, removal is unnecessary for replacing the actuator.
Metal to metal or soft sealing.
Self draining design.

STANDARD SURFACE FINISH

Internal wetted parts: $\leq 0,5$ micron Ra
External : $\leq 0,8$ micron Ra
(0,25 micron Ra and electro polished as option)
Ultrasonic cleaning
Actuator (stainless steel): satin bead blast finish 1,6 micron Ra
Actuator (steel): Electrostatic painted

OPTIONS:

Soft sealing
Heating chamber
Inline connections
Positioners and position transmitters
Air filter regulator
Bolted bonnet

USE:

Saturated steam, hot and superheated water
Process fluids, liquids, air and gases compatible with the construction

AVAILABLE MODELS:

PV926A

VALVE SIZES:

1/2" to 2"

CONNECTIONS:

ASME BPE
Clamp ferrules or tube weld ends
Others on request

VALVE PORT:

Full port as standard
Reduced or micro flow on request

PLUG TYPES:

Equal percentage (EQP)
Linear (PL)
On-Off (PT)

PACKAGING:

Assembling and packaging in a clean room certified according to ISO 14644-1. The product is end capped and vacuum sealed with recyclable plastic film to avoid contamination.



Clamp



Tube weld

LIMITING CONDITIONS	
Valve model	V926A
Body design conditions	PN 16
Maximum operating pressure	13 bar @ 38 °C
Max. operating steam pressure	6 bar
Max. oper. temperature steam and water	170 °C
Max. operating temperature with air	150 °C
Minimum operating temperature	- 10 °C

Higher and lower limits on request

CE MARKING (PED - European Directive 97/23/EC)	
PN 16	Category
DN1/2" to DN2"	SEP - art. 3, paragraph3

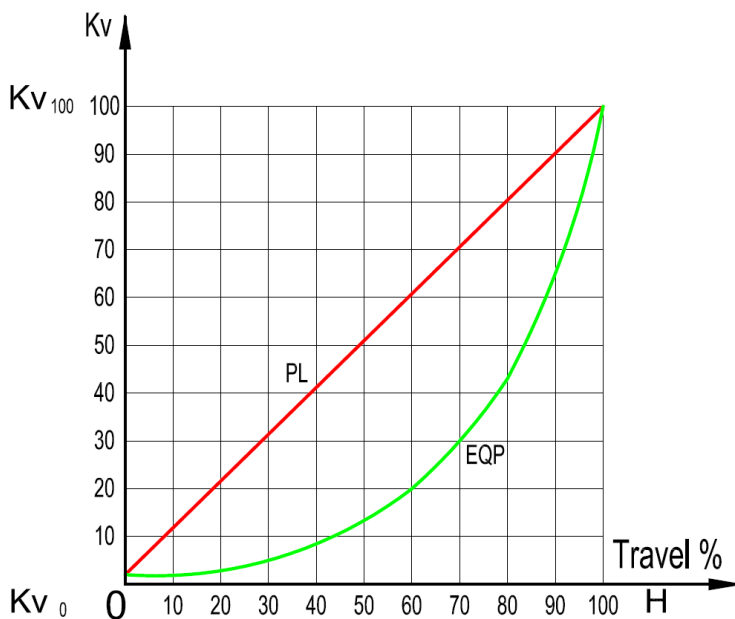
PNEUMATIC ACTUATORS: PA-205,PA-280,PA-340
ACTUATOR CONNECTIONS: 1/4" NPT-F
CONTROL SIGNAL: 0,4 – 1,2 bar; 0,4 – 2 bar
ELECTRIC ACT.: Consult IS EL20.00 E
MAX.AIR SUPPLY: 3,5 bar
AMBIENT TEMPERATURE: -20°C+70°C

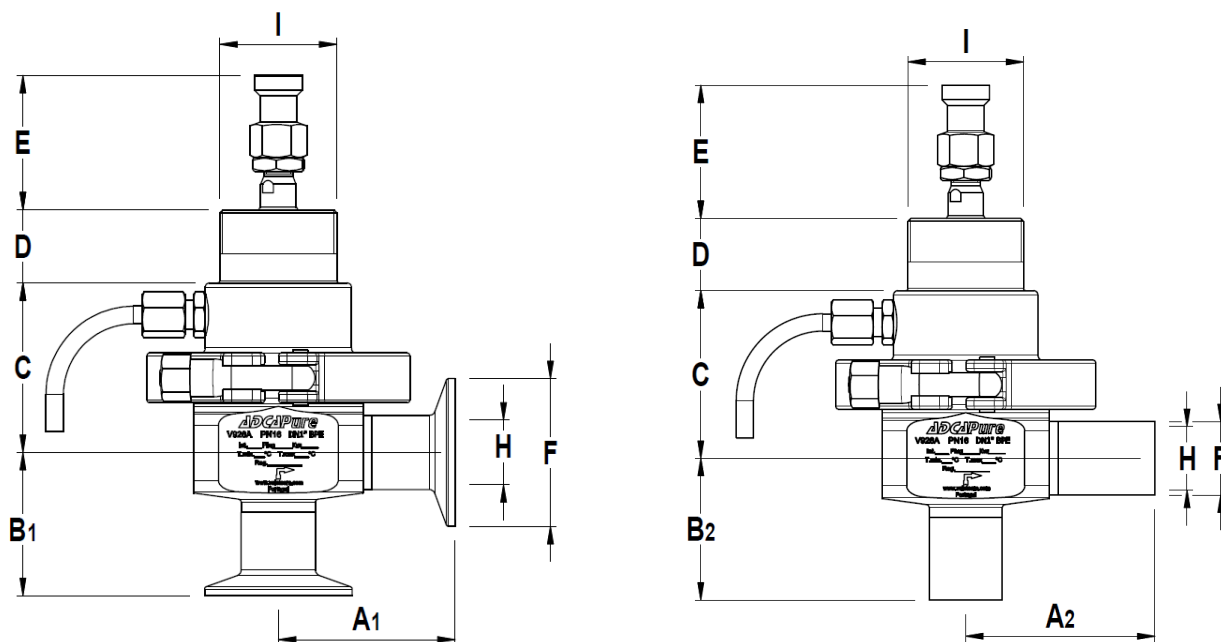
FLOWRATE COEFFICIENTS Kvs (m3/h)							
SEAT ϕ mm	VALVE STROKE mm	VALVE SIZES					
		DN1/2"	DN3/4"	DN1"	DN11/4"	DN11/2"	DN2"
4 *	7,5	0,1	—	—	—	—	—
4 *		0,25	—	—	—	—	—
4 *		0,5	—	—	—	—	—
8 *		1	—	—	—	—	—
8 *		1,5	—	—	—	—	—
8 *		2	2	—	—	—	—
12		2,3	2,8	—	—	—	—
12		2,9	3,7	—	—	—	—
15		4,2	5,2	—	7,8	—	—
19		7	—	—	9,8	—	—
25	15	—	—	—	—	14,7	21,1
32		—	—	—	—	17,8	25,4
38		—	—	—	—	—	27,7
47		—	—	—	—	—	34,7

* Microflow available only with contoured linear characteristic.

For conversion $Kvs = Cv(US) \times 0,855$

HOW TO SELECT: Never size the valve seat according to the pipe diameter in which it has to be fitted, but according to the required actual fluid flow / Kvs. Refer to the valve calculation data sheet or consult the factory.



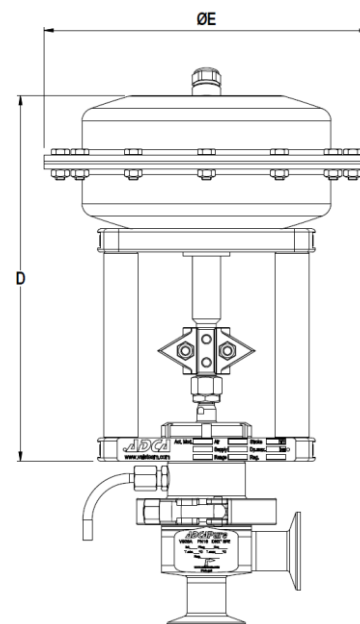

VALVE DIMENSIONS (mm) ASME BPE

SIZE DN	A ₁	A ₂	B ₁	B ₂	C	D	E	F	G	H	I	WGT. Kgs
1/2"	61	66	41	41	51	25	45	25	12,7	9,4	M40x1,5	1,9
3/4"	61	66	46	46	53	25	45	25	19,05	15,8	M40x1,5	2
1"	61	66	49	49	58	25	45	50,5	25,4	22,1	M40x1,5	2,2
1 1/2"	77	85	62	70	68	25	45	50,5	38,1	34,8	M40x1,5	3,7
2"	77	87	62	72	75	25	45	64	50,8	47,5	M40x1,5	4,2

Face to face dimensions are not standardized. Different dimensions available on request.

ACTUATOR DIMENSIONS
ACTUATOR

Type	D (mm)	E (mm)	WGT. Kgs
PA-205	235	210	5,4
PA-280	240	275	8,2
PA-340	265	335	14,3



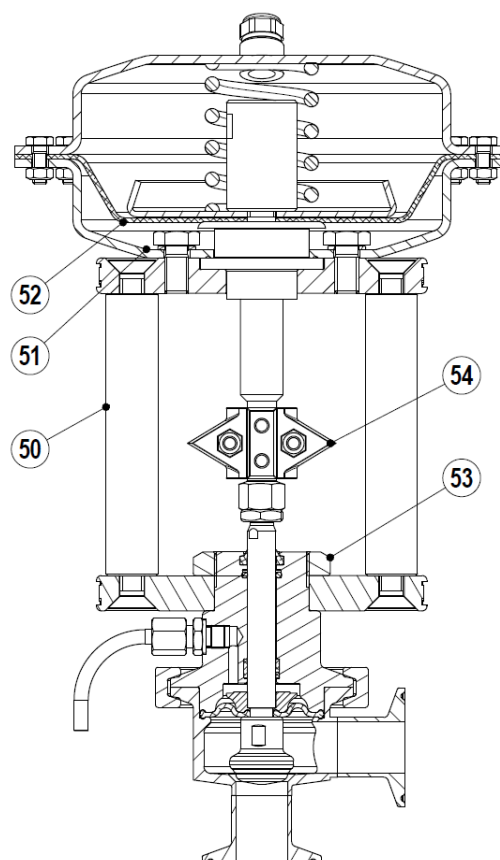
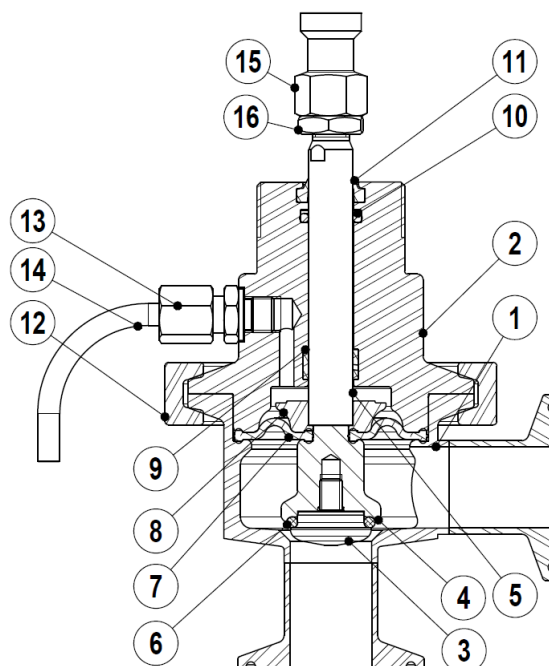
MATERIALS

POS.	DESIGNATION	MATERIAL
1	Valve body	AISI316L / 1.4404
2	Bonnet	AISI316L / 1.4404
3	* Valve plug	AISI316L / 1.4404
4	Plug disc	AISI316L / 1.4404
5	* Stem	AISI316L / 1.4404
6	Valve plug seal	High performance EPDM
7	* Diaphragm	High performance EPDM
8	Diaphragm plate	AISI316L / 1.4404
9	* Guide bushing	PTFE
10	* O-ring	EPDM
11	* Scraper ring	VITON
12	Clamp	AISI316 / 1.4401
13	Leak-off connection	AISI304 / 1.4301
14	Discharge pipe	AISI316 / 1.4401
15	Nut adapter	AISI316 / 1.4401
16	Lock nut	A2 - 70
50	Yoke (steel)	C45E / 1.1191
	Yoke (stainless steel)	AISI304 / 1.4301
51	Actuator (steel)	S235JRG2 / 1.0038
	Actuator (stainless steel)	AISI304 / 1.4301
52	* Diaphragm	NBR 70
53	Lock nut	CF8 / 1.4308
54	Coupling (travel indicator)	CF8 / 1.4308

* Available spare parts. ** On request

Remarks: FDA/USP Class VI seals certificate on request

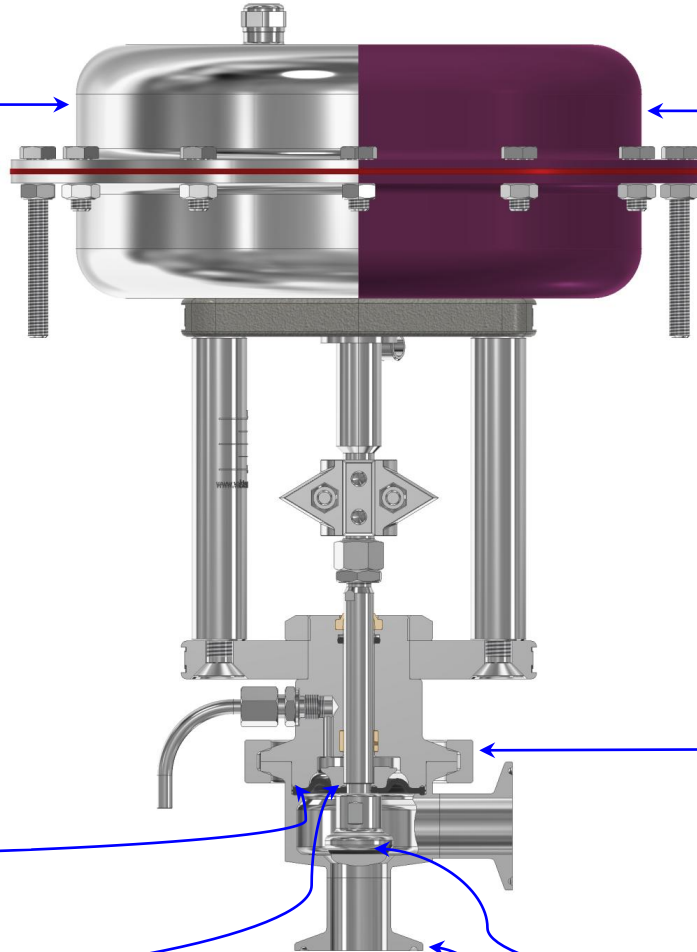
All valves have a serial number. In case of non-standard valves this number must be supplied if spare parts are ordered.





Alternative stainless steel actuator and yoke

Electrostatic painted actuator



Clamped body and bonnet
Easily detachable

Air trap free design

Gap absense between the bonnet and shaft seal

Seating:
Metal to metal – Class IV
Soft – Class VI

All wetted sealing materials comply with FDA regulations and are conform USP Class VI

Suitable for CIP and SIP

316L
Solid barstock construction

Optional heating chamber
(to maintain the required temperature for the fluid flowing through the valve)

