

BALANCED PRESSURE THERMOSTATIC STEAM TRAP Clean Steam Trap TSS 6 (DN 1/2" – 11/2")

DESCRIPTION

The TSS 6 all stainless steel thermostatic steam traps and air vents are specifically designed for use in reactors, sterilizers and distribution lines in clean and pure steam systems.

The small size makes it ideal for use with a wide variety of these equipment.

MAIN FEATURES

- Modulating discharge.
- Wide range of connections options
- Excellent air discharge.
- Simple and compact design.

STANDARD SURFACE FINISH

- Internal wetted parts: ≤ 0,5 micron Ra
- External : ≤ 0,8 micron Ra
- (0,25 micron Ra and electro polished as option)
- Ultrasonic cleaning

- OPTIONS: Special designs under request.
Different standard connection

- USE: Saturated clean steam

AVAILABLE

- MODELS: TSS 6

- SIZES: 1/2" to 11/2" ; DN8 to DN25

- CONNECTIONS: ASME BPE, DIN and ISO.
Clamp ferrules or tube weld ends

- PACKAGING: Assembling and packaging in a clean room certified according to ISO 14644-1.
The product is end capped and vacuum sealed with recyclable plastic film to avoid contamination.

- INSTALLATION: Vertical installation

PMA	Max. allowable pressure	10 bar
TMA	Max. allowable temperature	177 °C
PMO	Max. operating pressure	6 bar
TMO	Max. operating temperature	165 °C



FLOW RATE CAPACITY IN Kg/h										
MODEL	SIZE	DIFFERENTIAL PRESSURE (bar)								
		0,2	0,3	0,5	1	1,5	2	3	4	6
TSS6 (A)	1/2"-11/2"	320	380	410	550	680	909	1081	1199	1403
TSS6 (B)	1/2"-11/2"	470	495	518	697	792	1026	1231	1436	1682

Capacities shown refer to condensate at 5°C below saturated steam temperature .

A = Condensate discharge at 10°C below saturation temperature. **B** = Cold water capacity at about 20°C.

DIMENSIONS (mm) ASME BPE

SIZE DN	A1	A2	B	C	D	E	*G	H	I	WGT. Kgs
1/2"	65	95	87	57,5	61	56,5	25	12,7	9,4	0,7
3/4"	65	95	87	57,5	61	56,5	25	19,05	15,75	0,7
1"	65	95	87	57,5	61	56,5	50,5	25,4	22,1	0,8
1 1/2"	65	NA	87	57,5	61	56,5	50,5	38,1	34,8	0,8

DIMENSIONS (mm) DIN

SIZE DN	A1	A2	B	C	D	E	*G	H	I	WGT. Kgs
10	65	95	87	57,5	61	56,5	34	13	10	0,7
15	65	95	87	57,5	61	56,5	34	19	16	0,7
20	65	95	87	57,5	61	56,5	34	23	20	0,8
25	65	95	87	57,5	61	56,5	50,5	29	26	0,8

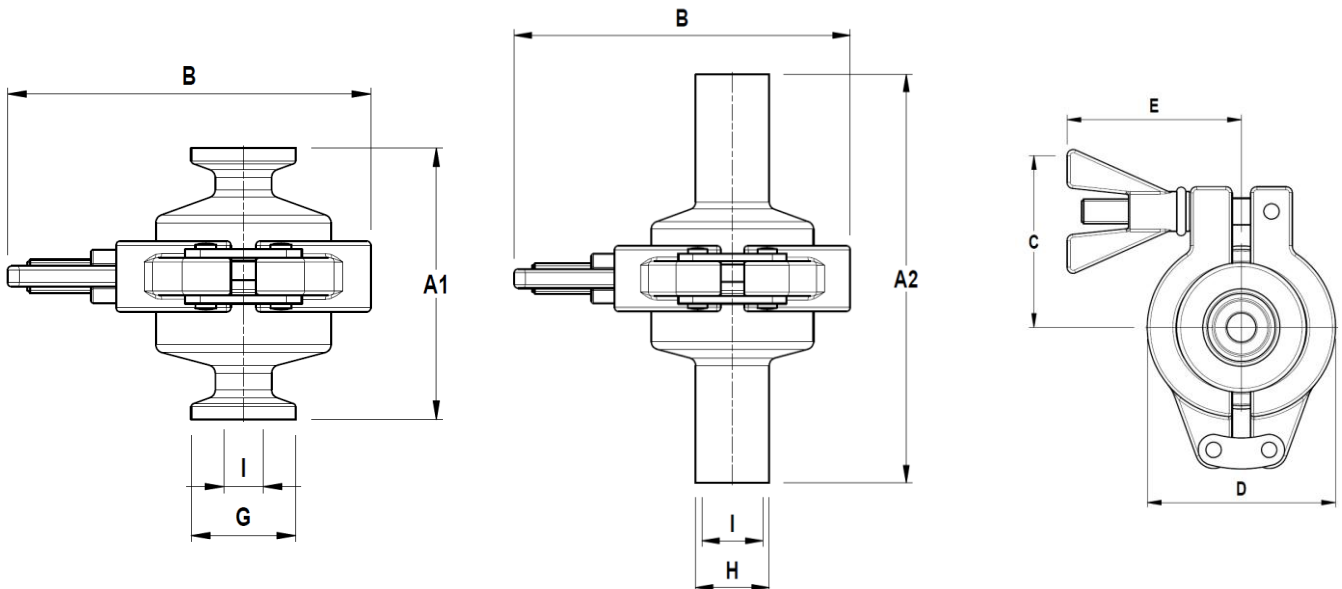
Clamp ferrules DIN 32676 Series A; Tube weld DIN 11866 Series A (DIN 11850 Series 2)

DIMENSIONS (mm) ISO

SIZE DN	A1	A2	B	C	D	E	*G	H	I	WGT. Kgs
8	65	95	87	57,5	61	56,5	25	13,5	10,3	0,7
10	65	95	87	57,5	61	56,5	25	17,2	14	0,7
15	65	95	87	57,5	61	56,5	50,5	21,3	18,1	0,8
20	65	95	87	57,5	61	56,5	50,5	26,9	23,7	0,8

Clamp ferrules DIN 32676 Series B; Tube weld DIN 11866 Series B (ISO 1127 Series 1)

* Special versions or non-standard sanitary clamp ferrules are available on request.


MATERIALS

POS.	DESIGNATION	MATERIAL
1	Body	AISI316L / 1.4404
2	Cover	AISI316L / 1.4404
3	* Thermostat	AISI316L / 1.4404
4	* Gasket	PTFE/TFM® Envelope gasket **
5	Safety clamp	AISI316 / 1.4401

* Available spare parts

** FDA/USP Class VI seals certificate on request.

