

BALANCED PRESSURE THERMOSTATIC STEAM TRAP

Clean Steam Trap TSS 7 (DN 1/2" to 1" ASME BPE)

DESCRIPTION

The TSS 7 all stainless steel thermostatic steam traps and air vents are specifically designed for use in reactors, sterilizers and distribution lines in clean and pure steam systems.

The small size makes it ideal for use with a wide variety of these equipment.

MAIN FEATURES

Modulating discharge.
Wide range of connections options
Excellent air discharge.
Simple and compact design.



STANDARD SURFACE FINISH

Internal wetted parts: $\leq 0,5$ micron Ra
External : $\leq 0,8$ micron Ra
(0,25 micron Ra and electro polished as option)
Ultrasonic cleaning

OPTIONS: Special designs under request.

USE: Saturated clean steam

AVAILABLE

MODELS: TSS 7

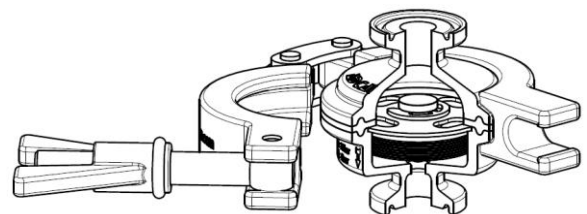
SIZES: 1/2", 3/4" and 1".

CONNECTIONS: ASME BPE

Clamp ferrules or others on request

PACKAGING: Assembling and packaging in a clean room certified according to ISO 14644-1.

The product is end capped and vacuum sealed with recyclable plastic film to avoid contamination.



INSTALLATION: Vertical installation.

PMA	Max. allowable pressure	10 bar
TMA	Max. allowable temperature	177 °C
PMO	Max. operating pressure	6 bar
TMO	Max. operating temperature	165 °C

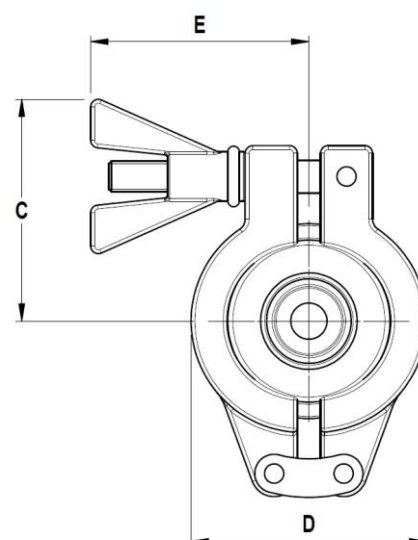
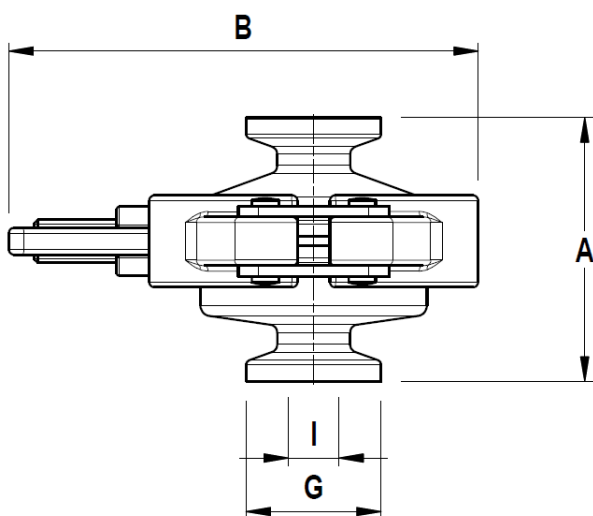
FLOW RATE CAPACITY IN Kg/h										
MODEL	SIZE	DIFFERENTIAL PRESSURE (bar)								
		0,2	0,3	0,5	1	1,5	2	3	4	6
TSS7 (A)	1/2"-1"	73	92	177	269	334	468	730	792	900
TSS7 (B)	1/2"-1"	398	475	574	656	745	820	944	1190	1436

Capacities shown refer to condensate at 5°C below saturated steam temperature .

A = Condensate discharge at 10°C below saturation temperature. **B** = Cold water capacity at about 20°C.

DIMENSIONS (mm)

SIZE DN	A	B	C	D	E	G	I	WGT. Kg
1/2"	49	87	57,5	61	56,5	25	9,4	0,6
3/4"	49	87	57,5	61	56,5	25	15,75	0,6
1"	53	87	57,5	61	56,5	50,5	22,1	0,7


MATERIALS

POS.	DESIGNATION	MATERIAL
1	Body	AISI316L / 1.4404
2	Cover	AISI316L / 1.4404
3	* Thermostat	AISI316L / 1.4404
4	* Gasket	PTFE/TFM® Envelope gasket **
5	Safety clamps	AISI316 / 1.4401

* Available spare parts.

** FDA/USP Class VI seals certificate on request.

